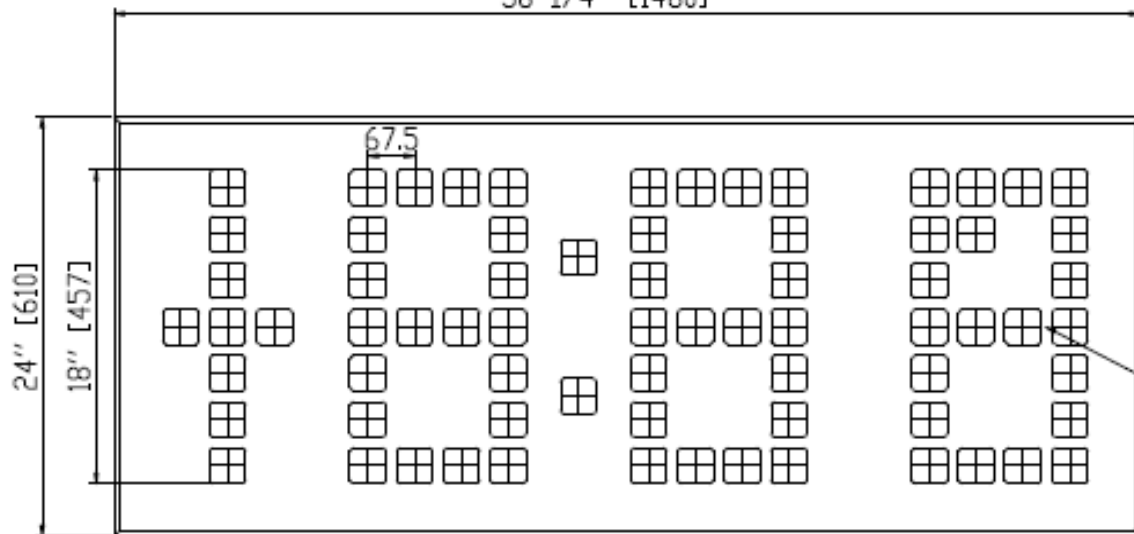


18"-T&T-SF

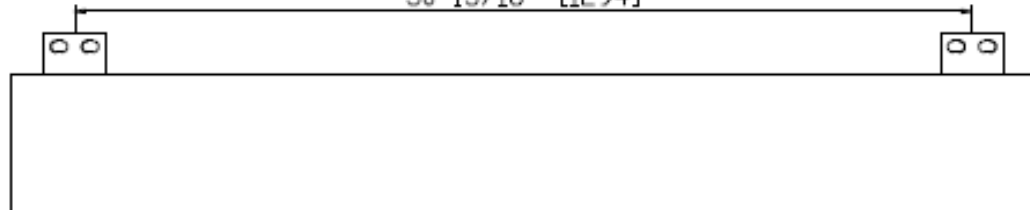
Front View

58 1/4" [1480]

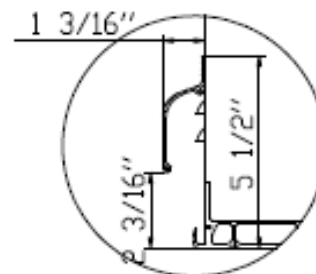
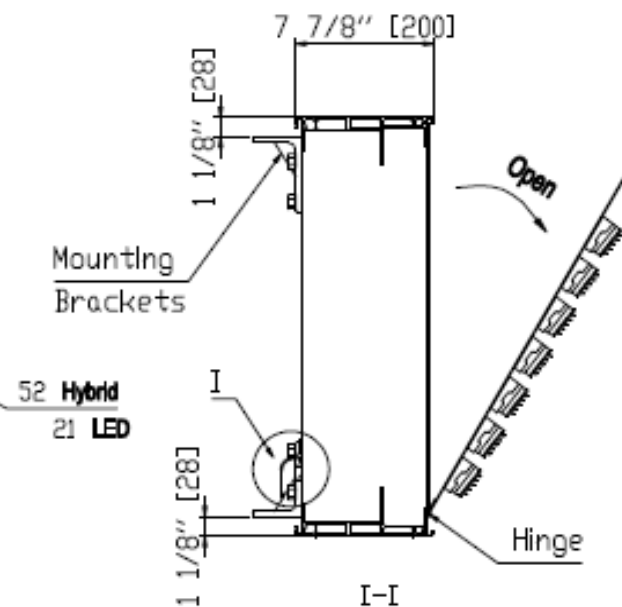


Top View

50 15/16" [1294]



Side View

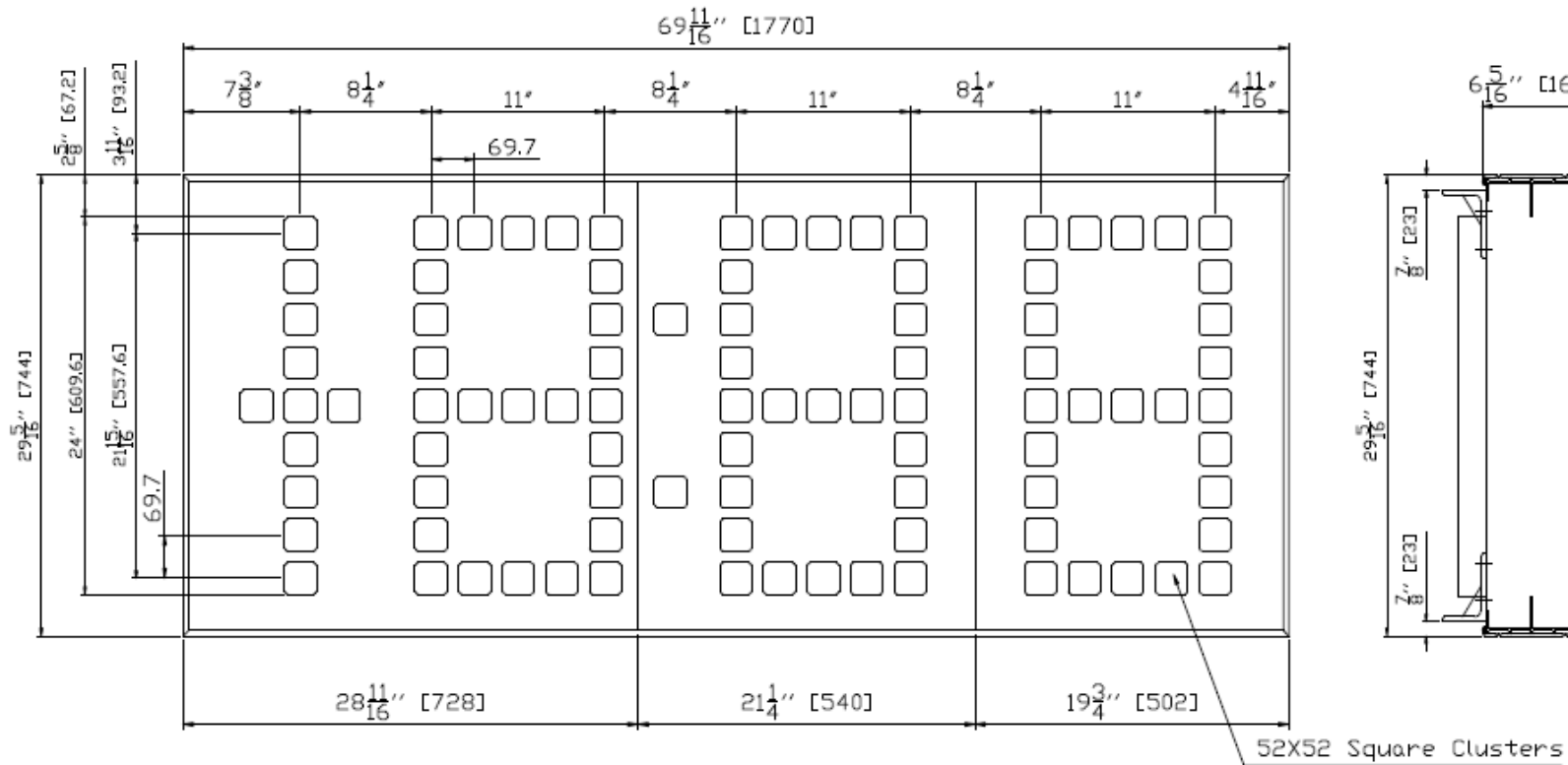


Ref. No.		Designer	Y	Date	Dec.6,2005	LUMTEC		Mode No	18"-T&T-SF
Weight	N.W. Kg/face	Version	V 1.0	SCALE	1:10			Drawing No	18"-T&T-SF-200-1000
Sketch	1 of 2	Unit	Inch [mm]	Tolerance	(±)1/8"	AC Power consumption	325 W/Face (Approx.)		

Front View

(Only Front Service)

24" T&T-SF

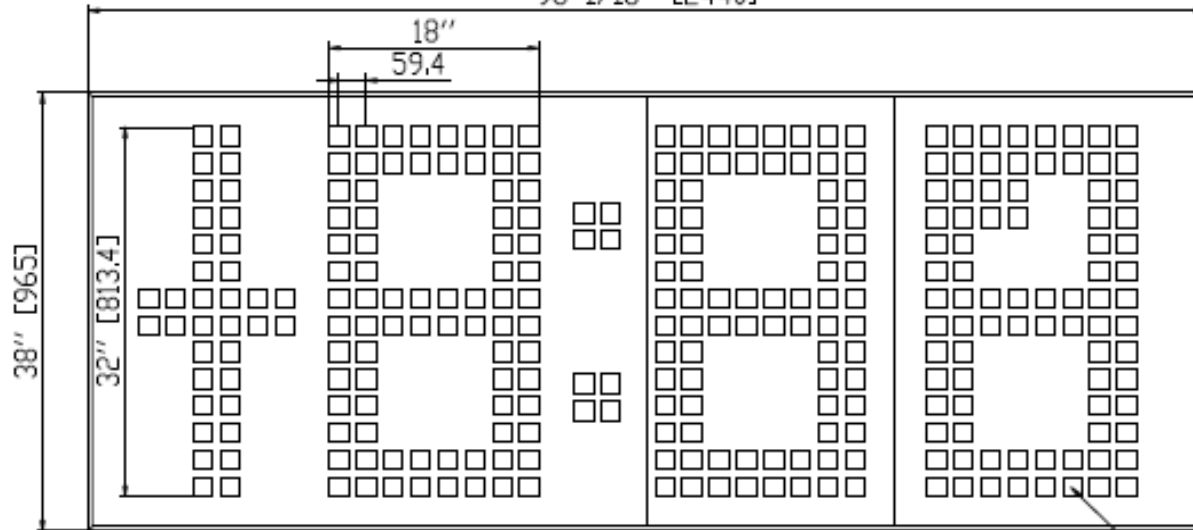


Ref. No.	Kathy030805-1	Designer	SXH	Date	Mar.9/2005	LUMTEC	Mode No	24"-T/T-M/S
Weight	92KG/set(Approx.)	Version	V 1.0	SCALE	1:12		Drawing No	61ST24T/TZZZZ1DM1
Sketch	1 of 2	Unit	Inch(Rough Size) [mm]		AC Power Consumption	324W/Face (Approx.)		

32"-T&T-SF

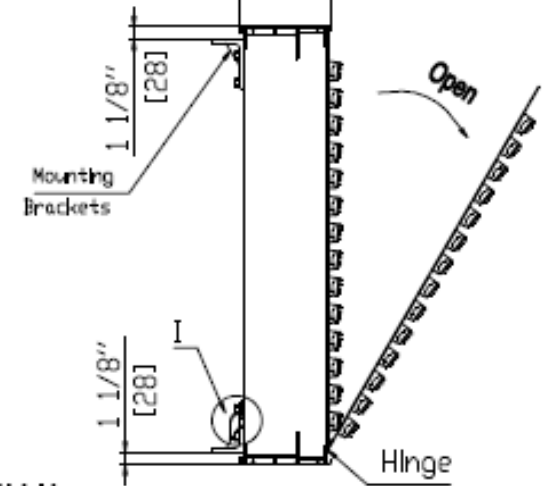
Front View

96 1/16" [2440]



Side View

7 7/8" [200]



Top View

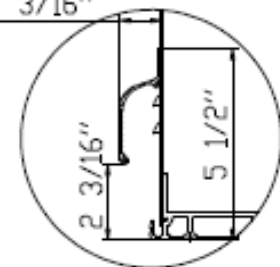
29 1/2" [750] 29 11/16" [754] 29 1/2" [750]



42 Hybrid
16 LED

I-I

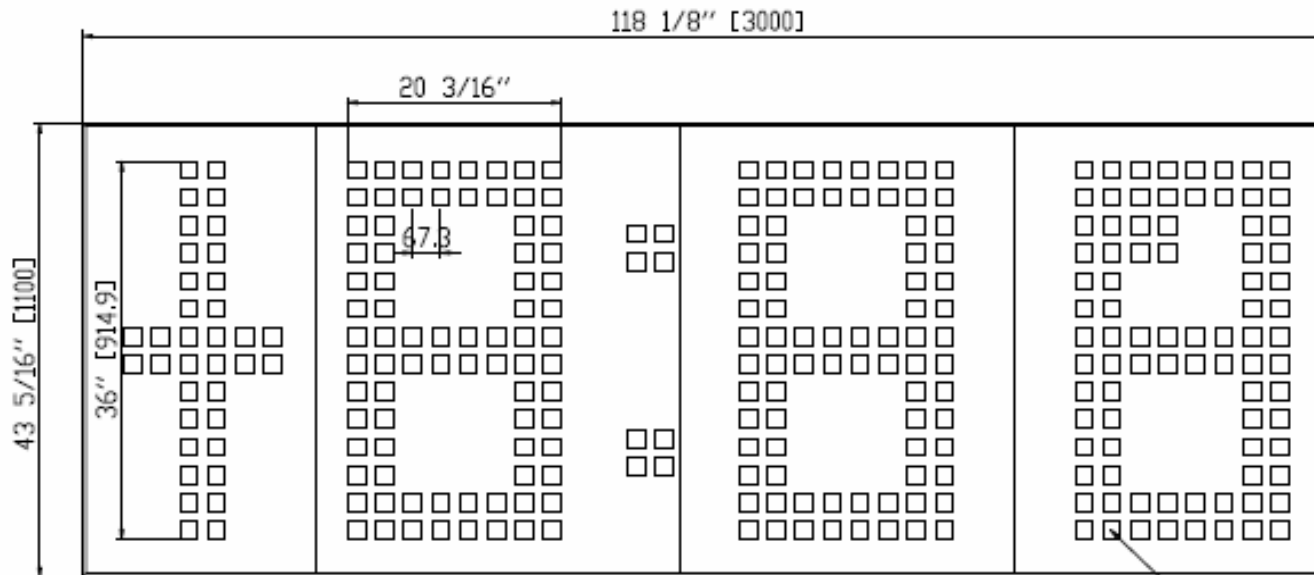
1 3/16"



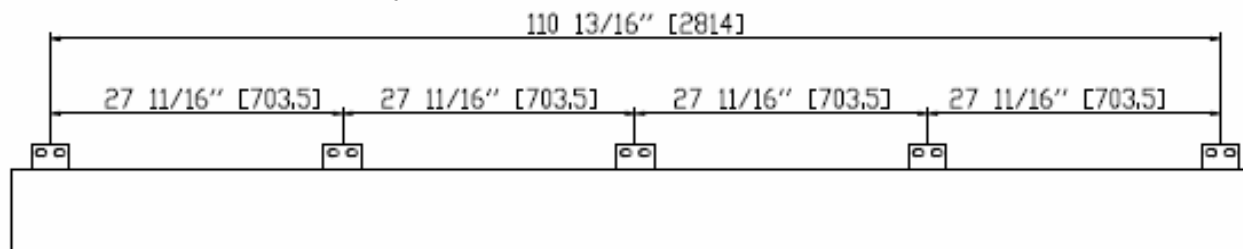
Ref. No.		Designer	Y	Date	Dec.6,2005	LUMTEC		Mode No	32"-T&T-SF
Weight	N.W. Kg/face	Version	V 1.0	SCALE	1:15			Drawing No	32"-T&T-SF-200-1000
Sketch	1 of 2	Unit	Inch [mm]	Tolerance	(±1/8")	AC Power consumption	325 W/Face (Approx.)		

36"-T&T-SF

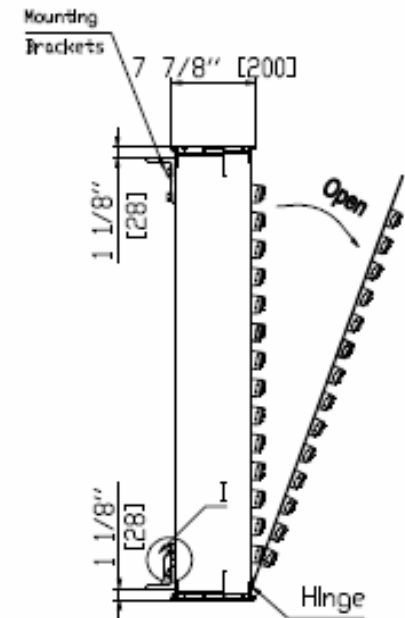
Front View



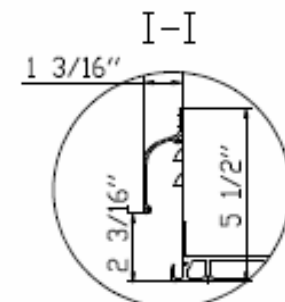
Top View



Side View



42 Hybrid
16 LED



Ref. No.	Designer	Y	Date	Dec.6,2005	LUMTEC		Mode No	36"-T&T-SF
Weight	N.W. Kg/face	Version	V 1.0	SCALE			1:15	Drawing No
Sketch	1 of 2	Unit	Inch [mm]	Tolerance	(±1/8")	AC Power consumption	325 W/Face (Approx.)	